

Instruction for installing and usage of

Procedure for altering the numerical value of the interior:

Pressing the ADD_KEY(10) and MINUS_KEY (11) on the display panel at the same time for about 2 seconds, you will see the letter E on the display panel

1. Pressing the SETTING_KEY(8), and then you will see the letter E, (choosing several currency system), after that you can press the ADD_KEY or MINUS_KEY to increase or decrease the numerical value. After setting up, please press the SETTING_KEY to confirm.
2. Appearing the letter P (the numerical value for signal output of various currency value)
3. By parity of reasoning, setting is finished with your chosen currency. When the letter E is shown, please turn off the power and it will re-open again.

P.S. E: Choosing several currency value. (1-6)

P: The numerical value for signal output of various currency value. (1-50)

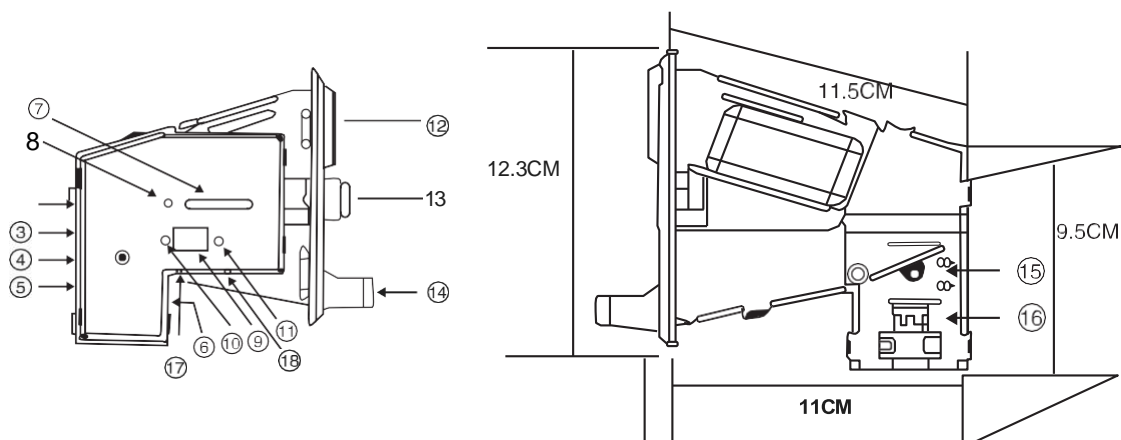
SETTING_KEY : SET Confirming key

ADD: Numerical value "+"


MINUS: Numerical value "-"

Methods for setting coin samples:

1. Pressing the setting key, the letter A is shown. Then press the setting key again, the letter A1 is show, and the first LED light is always on, so at this moment, inputting 15 first sample coins by constant velocity.
2. After inputting the coins, LED lights will flicker. When the letter A2 is shown and the first two LED lights are on, please inputting 15 second sample coins by constant velocity.
3. After inputting the coins, LED lights will flicker. When the letter A3 is shown and the first three LED lights are on, Please input 15 second sample coins by constant velocity. By parity of reasoning, please finish the setting. After finishing setting all the needed numerical value coins, all the LED lights will flicker several times, it can be used normally.



Instruction for position of function

Name	Functions
2. 4pin socket	
3. 2 section switch	NO(always on) NC (always off)
4. 3 section switch	Signal width: 20ms (fast) 50ms (medium) 100ms (slow)
5. 2pin socket	Signal of forbidden energy inputting • Up PIN means signal inputting. Voltage is more than 4V means OK. 0V means forbidden , Down PIN Means ground wire.
6. 2pin socket	Electromagnetism gate DC 12V
7. LED light	Matching up the instruction of the light 8
8. Inching button	Setting key SET
9. Changing 8 Nixie tube	Showing display status
10. Increment button	Status shows the numerical value“ + ”
11. Decrement button	Status shows the numerical value? -?
12. Slit	
13. Coin Returning Key	
14. Coin Returning Mouth	
15. Electromagnetic gate	Eliminating false coins
16. Cheat-defending function	Defending speculation
17. Paralleling Outlet	Signal paralleling outlet (s elect and use)

Numerical value for product quality

Identify accuracy rate	95%
Identify speed	0.6 second
Power source	DC12+10%
Working current	50ma
Moment maximum current	350ma (less than 0.5S)
Net Weight	170 g
Operating temperature	- 10-60°C
Storing temperature	20-85°C
Operating humidity	195%
barometric pressure	85Kpa- 106Kpa
Applying coin diameter	1 5mm-32mm
Applying coin thickness	1. 8mm 3.5mm
canning material	PC plastic